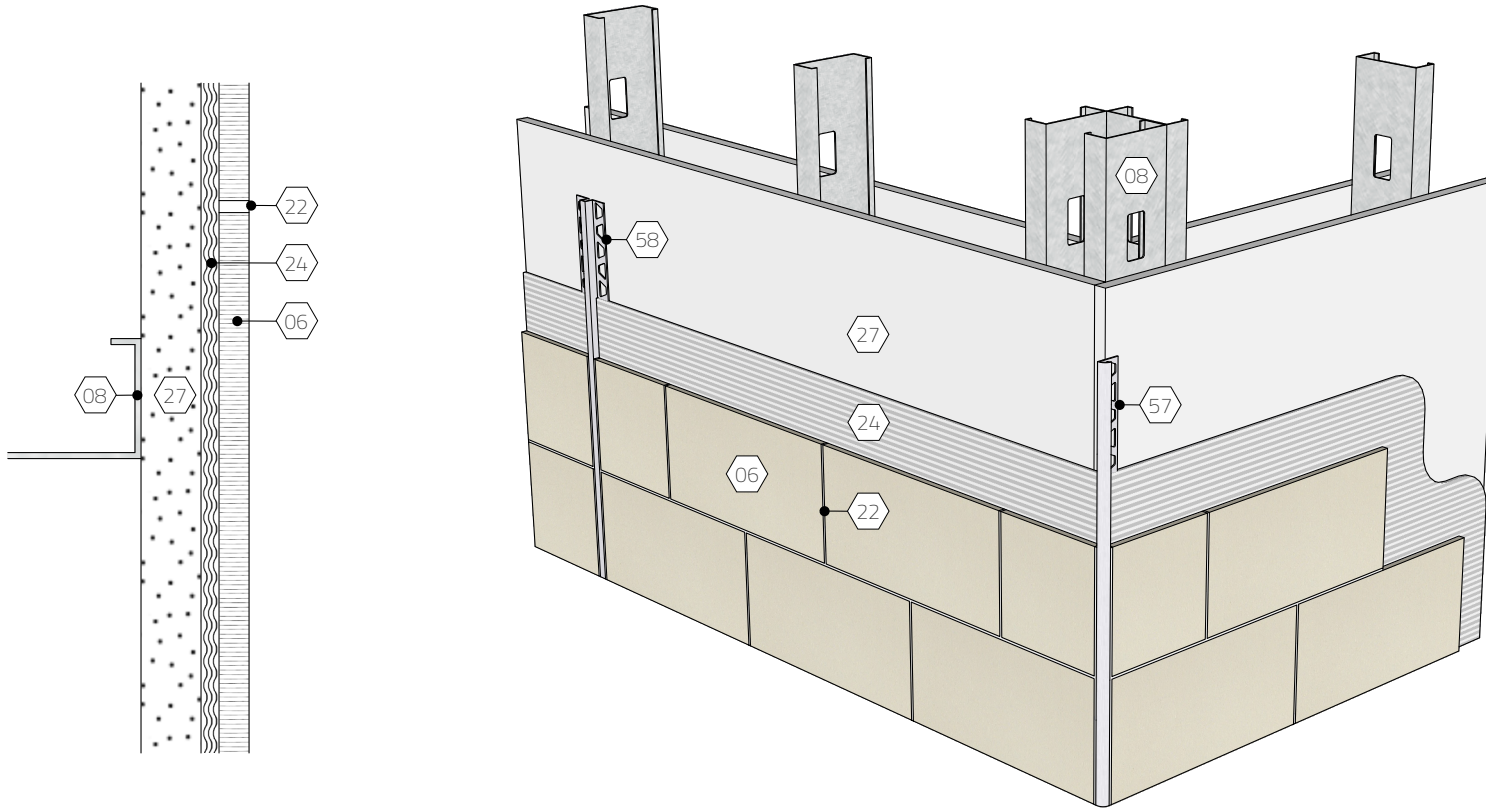


KEY NOTES

- 06 Wall tile
- 08 Steel or wood framing
- 22 Grout joint
- 24 Cementitious bond coat
- 27 Gypsum board backing
- 57 Corner profile strip if specified
- 58 Expansion joint profile strip if specified, spaced at intervals per design



1 Section
Scale: 6" = 1'-0"

2 3D view
N.T.S.

KEYWORDS

Tile, Ceramic tile, Gypsum board, Wall, Interior, W243, 06.080.0243

TITLE

Interior wall | Tile over gypsum board on wood or steel studs, cementitious bond coat

SCALE

Varies

REV.

01/12/21

SHEET NO.

06.080.0243