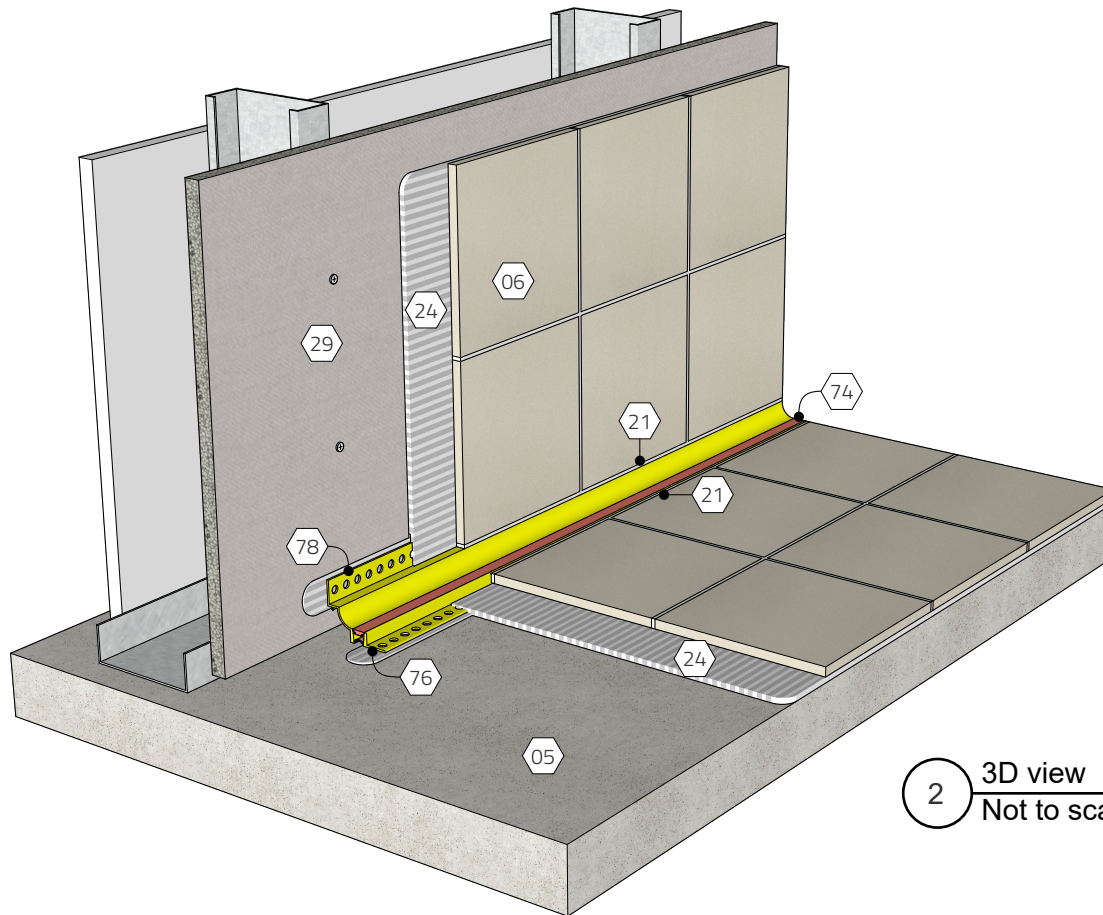


1 Section  
Scale: 6" = 1'-0"



2 3D view  
Not to scale

**KEY NOTES**

- 05 Floor substrate
- 06 Tile
- 21 Grout joint
- 24 Cementitious bond coat
- 29 Wall substrate
- 74 Gasket
- 76 Single leg anchor
- 78 Wall anchor with cove

**KEYWORDS**

Tile, Movement joint, Expansion joint, Perimeter Joint, Profile

TITLE

Perimeter Movement Joint Detail - Tile | Prefabricated Joint Profile at Floor-Wall Interface

REV.

08/05/24

SHEET NO.

06.071.1302