

KEY NOTES

- 01 Brick, thin
- 02 Concrete masonry backing
- 10 Blocking
- 22 Grout per structural design
- 23 Mortar scratch coat
- 24 Mortar bond coat / setting bed
- 35 Drainage medium
- 37 Reinforcement per structural design
- 40 Lath w/ approved fasteners
- 41 Insulation
- 51 Flashing
- 52 Termination bar w/ continuous bead of sealant at top
- 54 Metal pan flashing / drip edge
- 56 Casing bead
- 59 Weep vent
- 61 Air/moisture/vapor barrier as req'd
- 64 Transition membrane
- 74 Sealant & backer rod
- 75 Sealant
- 78 Shims
- 81 Window assembly
- 97 Reinforced masonry lintel per structural design

KEYWORDS

Adhered veneer, AVM, Thin brick, Window head, Head

TITLE

Window head | Adhered brick veneer, CMU backing

SCALE

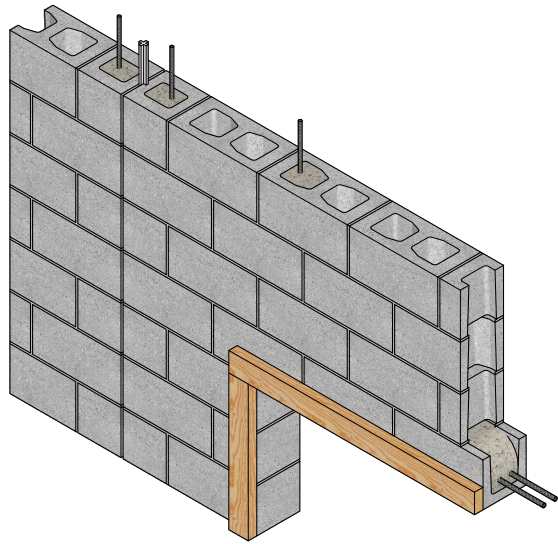
None

REV.

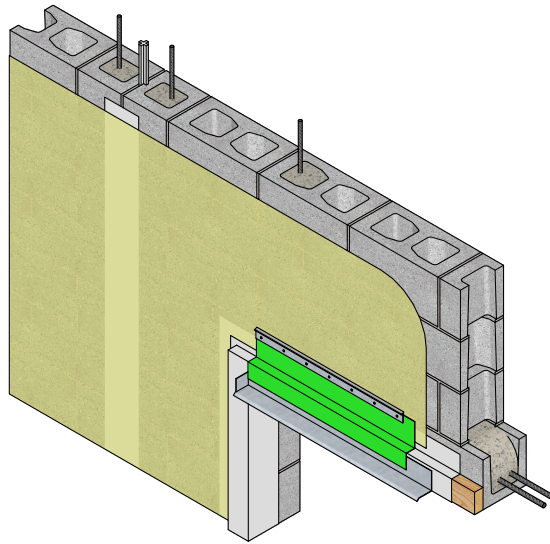
06/22/21

SHEET NO.

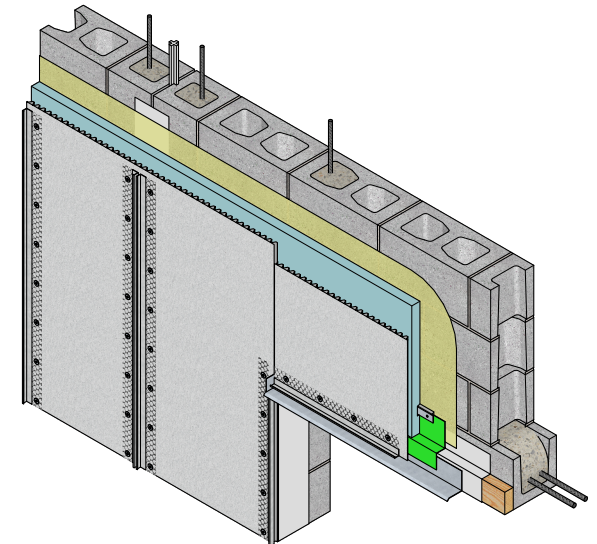
01.070.0601



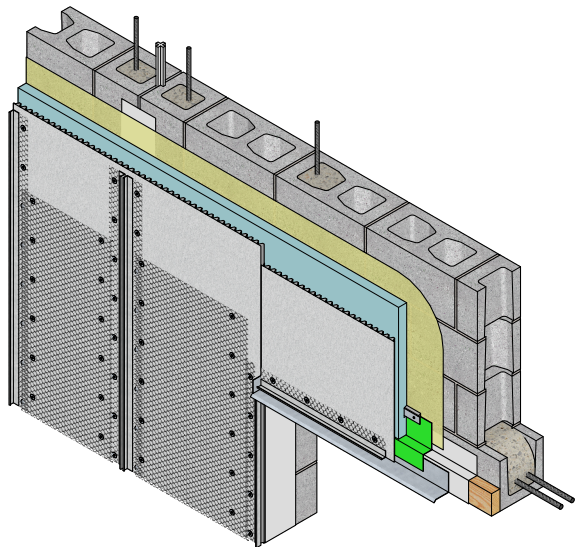
1. Rough opening, blocking



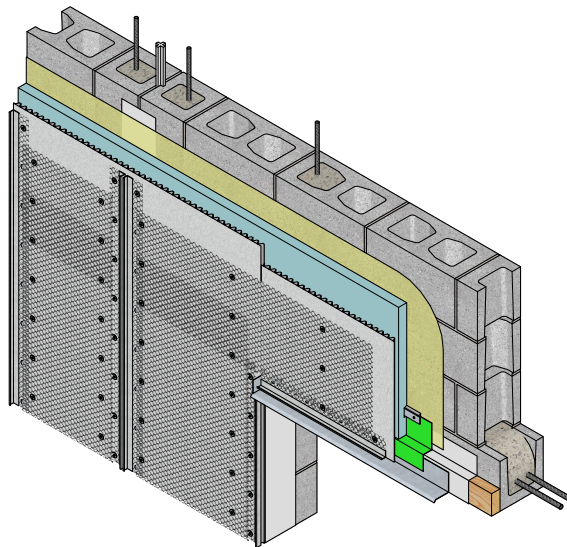
2. Transition membrane, AB, pan flashing w/ drip edge, through-wall flashing, term bar



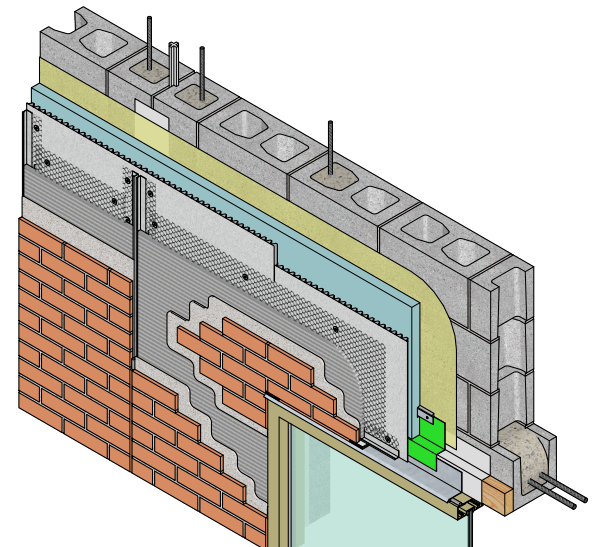
3. Insulation, drainage medium, casing beads



4. Lath (lower)



5. Lath (upper) shingled over lath (lower)



Scratch coat embedding lath, bond coat, adhered brick veneer, window assembly, expansion joint

TITLE

Window head sequencing | Adhered brick veneer, CMU backing

SCALE

None

REV.

06/22/21

SHEET NO.

01.070.0601