

Section

KEY NOTES

- 01 Brick, thin
- 02 Concrete masonry backing
- 03 Adhered stone sill
- 10 Blocking
- 22 Grout per structural design
- 23 Mortar scratch coat
- 24 Mortar bond coat / setting bed
- 35 Drainage medium
- 37 Reinforcement per structural design
- 40 Lath w/ approved fasteners
- 41 Insulation
- 54 Metal pan flashing / drip edge with end dam
- 56 Casing bead
- 59 Weep vent
- 61 Air/moisture/vapor barrier as req'd
- 64 Transition membrane
- 74 Sealant & backer rod
- 75 Sealant
- 78 Shims
- 81 Window assembly
- 97 Reinforced masonry lintel per structural design

KEYWORDS

Adhered veneer, AVM, Thin brick,
Window sill, Sill

TITLE

Window sill | Adhered brick veneer, CMU backing

SCALE

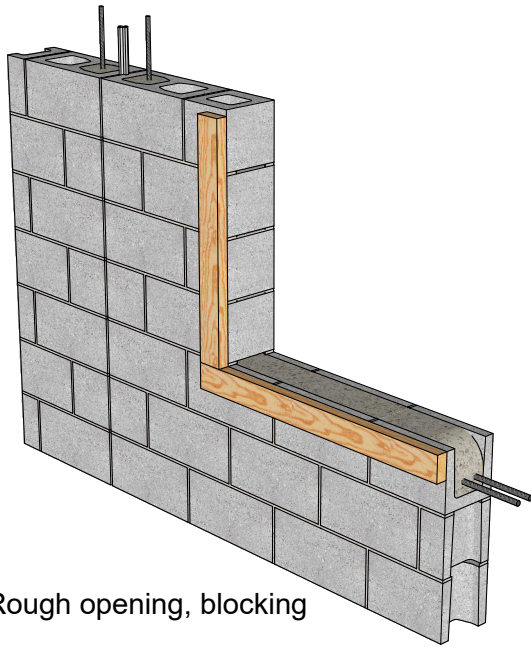
None

REV.

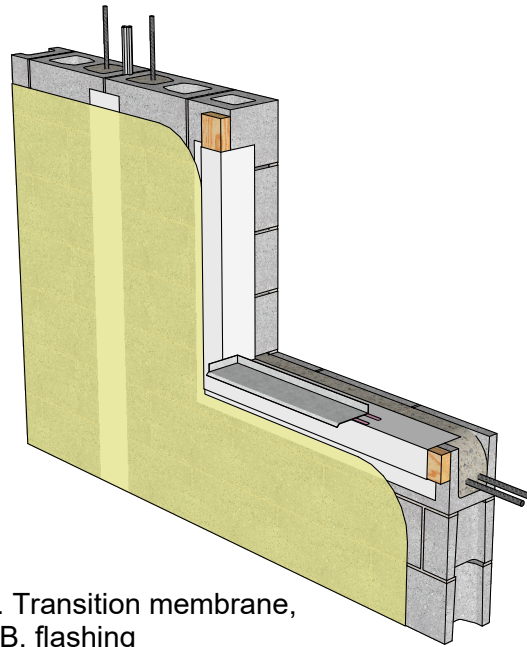
06/22/21

SHEET NO.

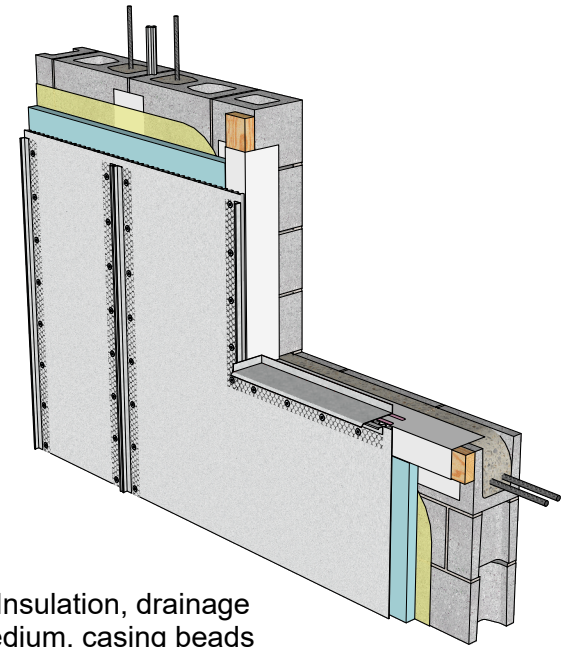
01.070.0401



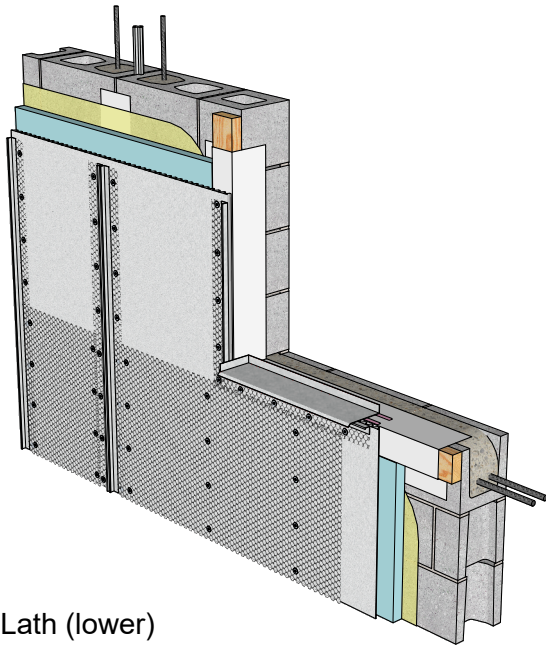
1. Rough opening, blocking



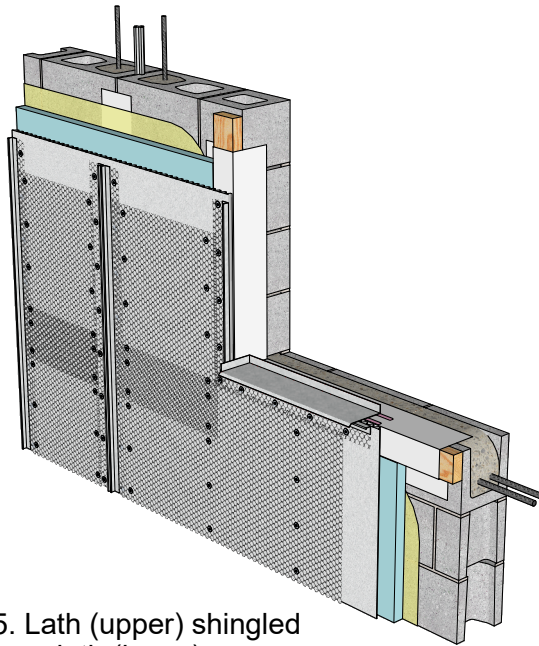
2. Transition membrane, AB, flashing



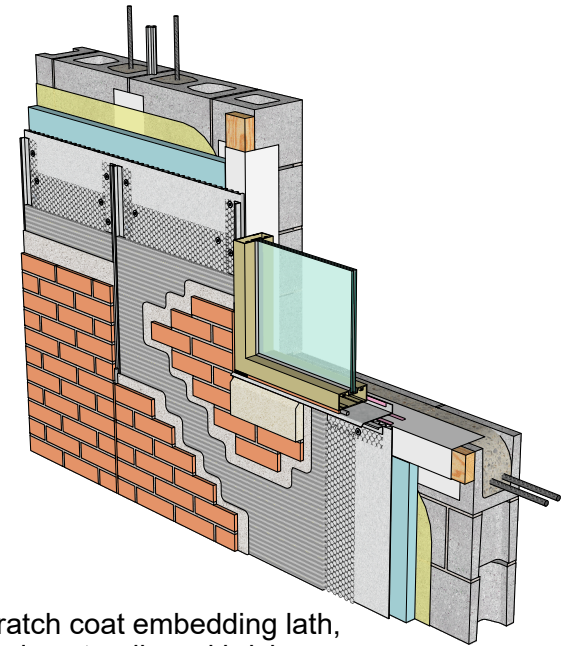
3. Insulation, drainage medium, casing beads



4. Lath (lower)



5. Lath (upper) shingled over lath (lower)



Scratch coat embedding lath, bond coat, adhered brick veneer, adhered sill, window assembly, expansion joint

TITLE

Window sill sequencing | Adhered brick veneer, CMU backing

SCALE

None

REV.

06/22/21

SHEET NO.

01.070.0401