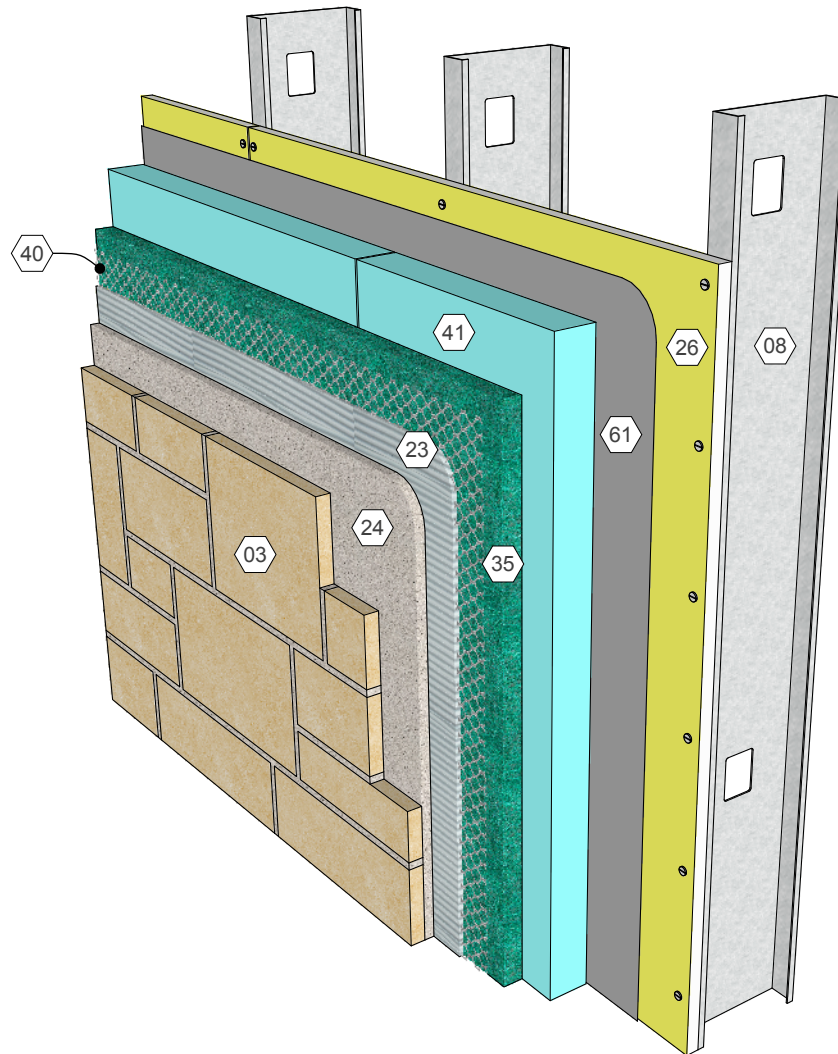


KEY NOTES

- 03 Adhered veneer
- 08 Steel studs
- 23 Mortar, scratch coat w/ lath embedded
- 24 Mortar, bond coat
- 26 Sheathing
- 35 Drainage material
- 40 Lath
- 41 Rigid insulation
- 61 Air/moisture barrier



KEY WORDS

Adhered veneer, thin stone veneer, stone, drainage mat, drainage material

International Masonry Institute



WALL SYSTEM Adhered stone veneer over steel studs backup, rigid insulation, drainage material

Wall 03.080.0211

Rev. 11/23/15

800-IMI-0988

www.imiweb.org

© 2016 International Masonry Institute