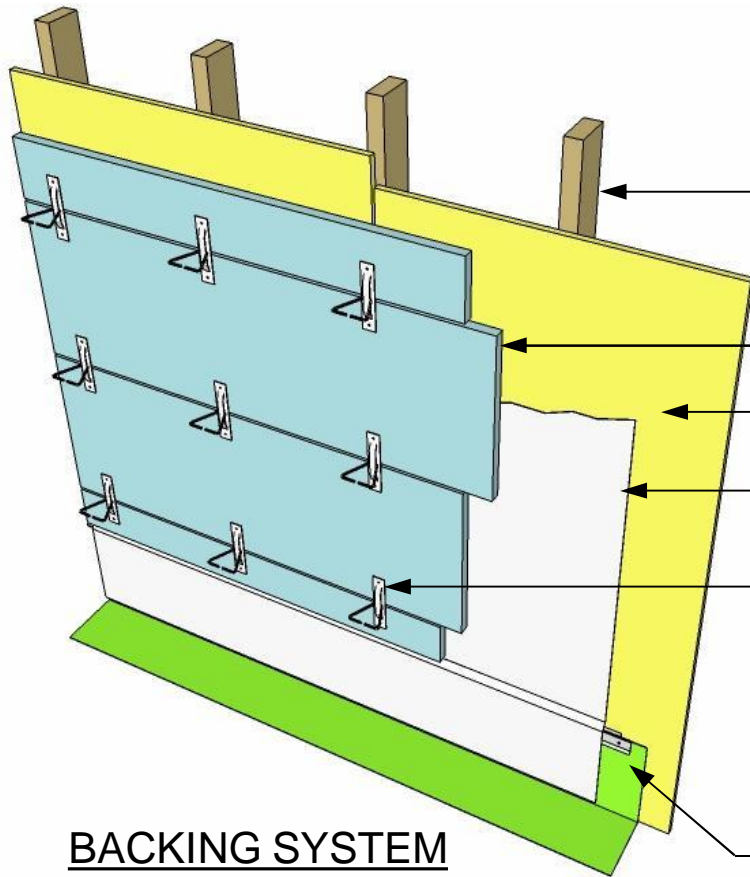
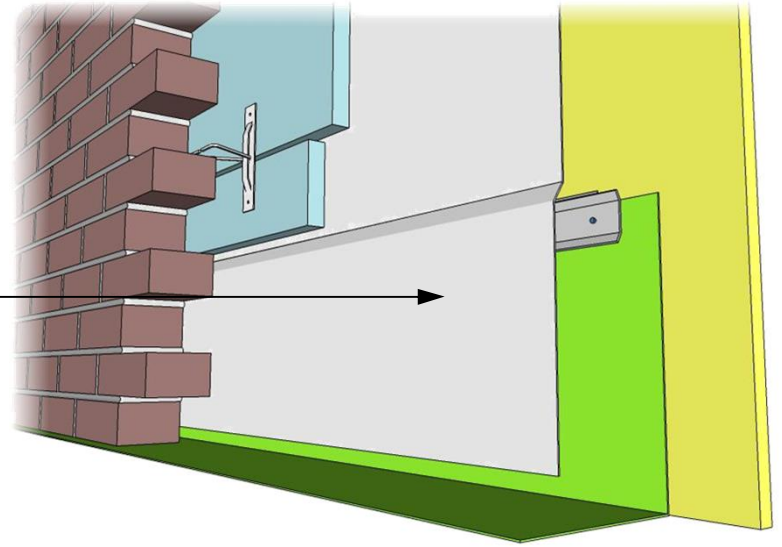


WATER RESISTANT BARRIER (HOUSEWRAP) MUST BE USED IF SHEATHING IS NOT WATER RESISTANT AND JOINTS IN SHEATHING ARE NOT TAPED AND SEALED. LAP WATER RESISTANT BARRIER OVER TOP OF FLASHING



WOOD STUDS

RIGID INSULATION

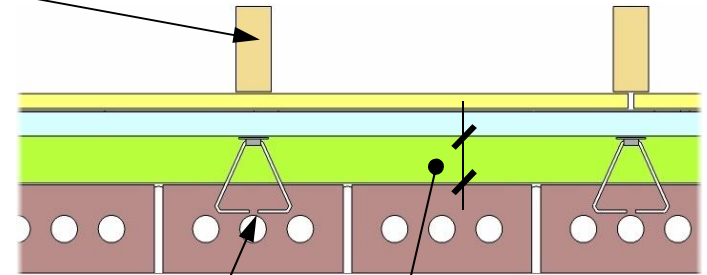
SHEATHING

WATER RESISTANT BARRIER

ADJUSTABLE VENEER ANCHORS FASTENED THROUGH INSULATION & SHEATHING TO STUDS

2+ AIR SPACE RECOMMENDED; 1+ REQ'D FOR DRAINAGE WALLS

FLASHING W/ TERMINATION BAR



PLAN

BACKING SYSTEM

BASE OF WALL DETAIL FLEX. FLASHING, TERM. BAR

DETAIL 01.050.0301

REV. 02/14/07

International Masonry Institute



800-IMI-0988 www.imiweb.org

© 2011 INTERNATIONAL MASONRY INSTITUTE